

4

3

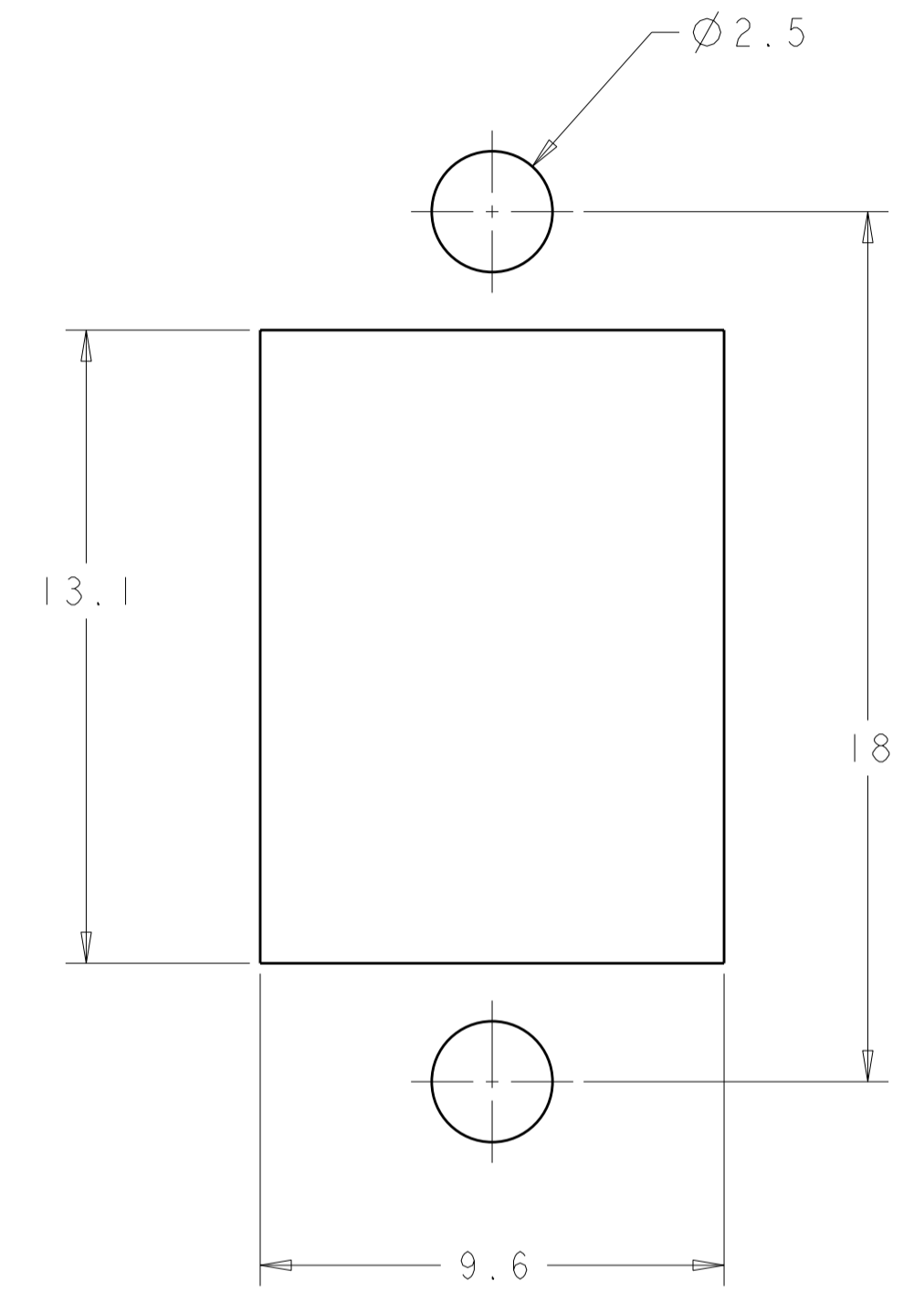
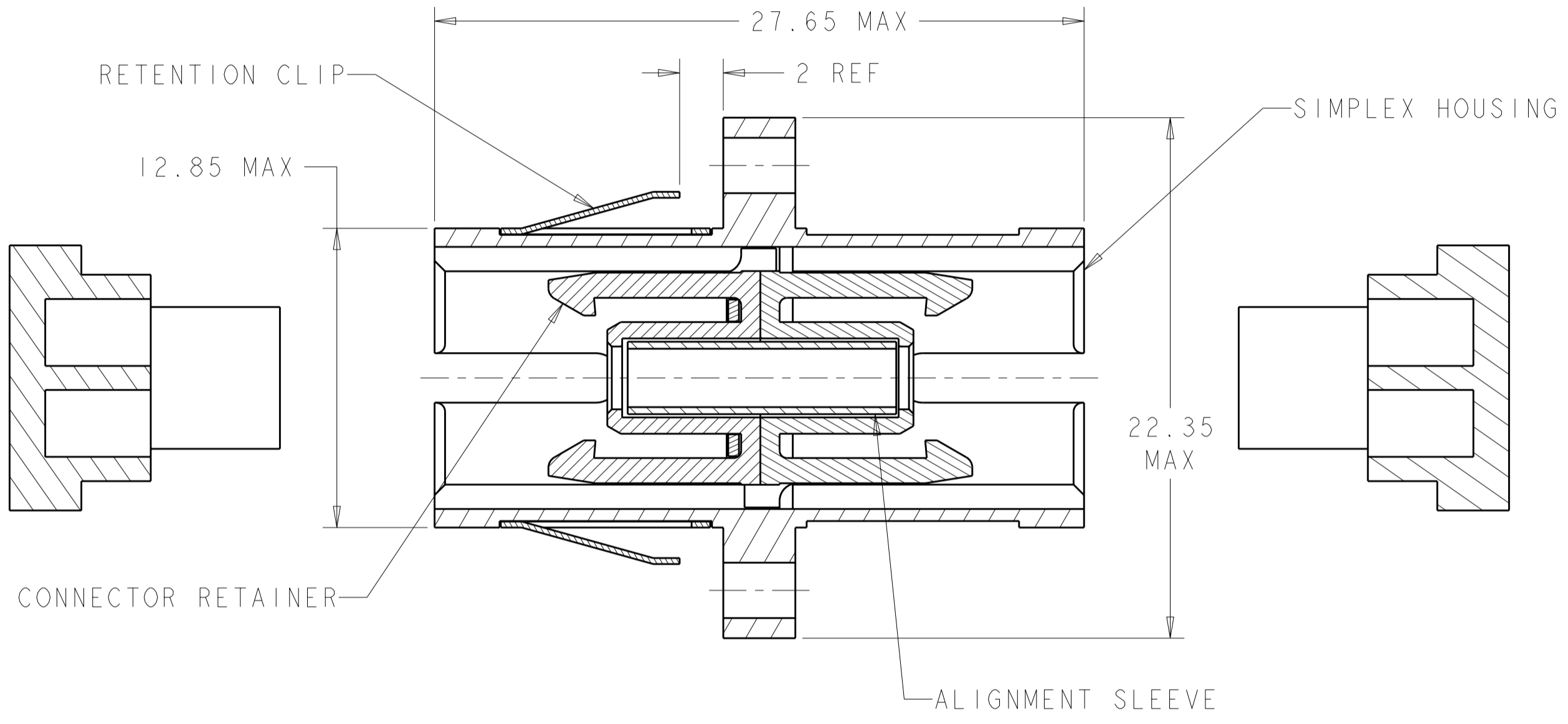
2

1

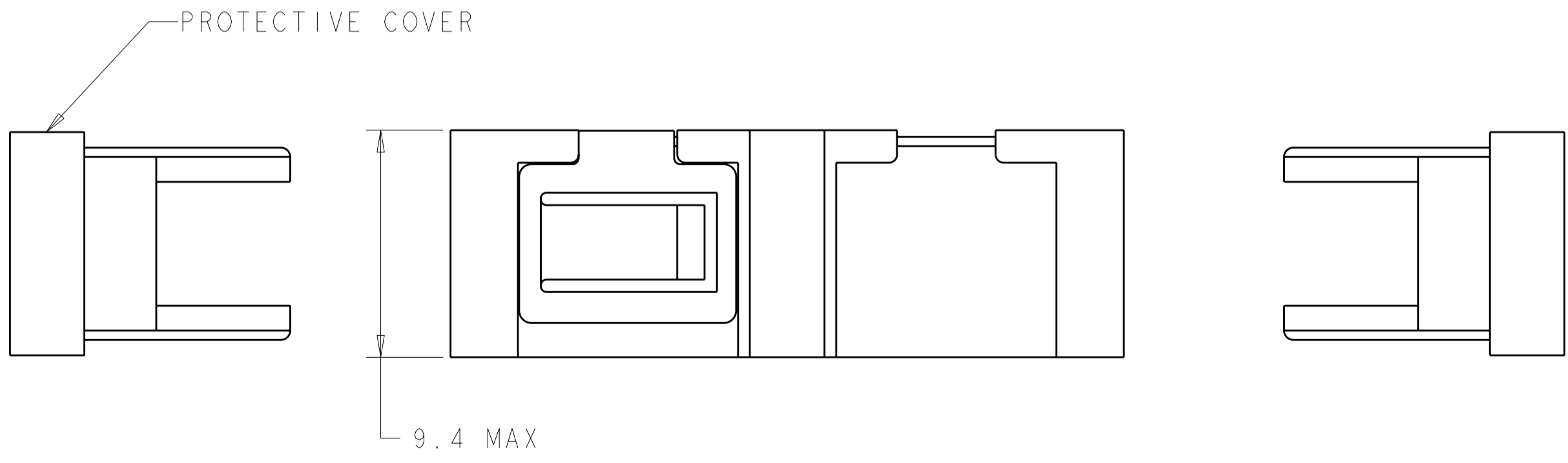
THIS DRAWING IS UNPUBLISHED. RELEASED FOR PUBLICATION 20
 © COPYRIGHT 20 BY TYCO ELECTRONICS CORPORATION. ALL RIGHTS RESERVED.

LOC	DIST	REVISIONS			
P	LTR	DESCRIPTION	DATE	DWN	APVD
CE	00				
	C	REVISE PER ECR-08-009217	16APR2008	BB	SM

⚠ MATERIAL:
 HOUSING: PBT-GF30, COLOR: GREEN.*
 RETAINER: PEI-GF30, COLOR: BLACK.*
 ALIGNMENT SLEEVE: CERAMIC.
 PROTECTIVE COVER: TPE, COLOR: BLACK.*
 RETENTION CLIP: STAINLESS STEEL.
 *UL94 V-0 RATED AT QUALIFYING THICKNESS.



SUGGESTED PANEL CUTOUT
 MAX PANEL THICKNESS 1.7



1828028-2
 PART NUMBER

<small>THIS DRAWING IS A CONTROLLED DOCUMENT FOR TYCO ELECTRONICS CORPORATION IT IS SUBJECT TO CHANGE AND THE CONTROLLING ENGINEERING ORGANIZATION SHOULD BE CONTACTED FOR THE LATEST REVISION.</small>		DWN B. BRIGGS 21OCT2004	Tyco Electronics Harrisburg, PA 17105-3608	
DIMENSIONS: mm		CHK S. MILLER 21OCT2004	NAME ADAPTER, SC/APC	
TOLERANCES UNLESS OTHERWISE SPECIFIED: 0 PLC ±0.1 1 PLC ±0.1 2 PLC ±0.05 3 PLC ± 4 PLC ± ANGLES ± FINISH		APVD S. BUCHTER 21OCT2004	RESTRICTED TO	
MATERIAL ⚠		PRODUCT SPEC -	SIZE A200779	DRAWING NO C-1828028
		APPLICATION SPEC -	SCALE 5:1	SHEET 1 OF 1 REV C
		WEIGHT -	CUSTOMER DRAWING	